

Cygnets Hygiene, Square Cistern, Bottom Inlet with SpaLet

American Standard

Kit Code: CYGNETSQBTINSPA

Pan: CL3324B-6DACTBF
 Cistern: CL43254-6DACTBF
 SpaLet: AS7SS1-0100510R0

Recommended use
 Domestic, hotel and commercial

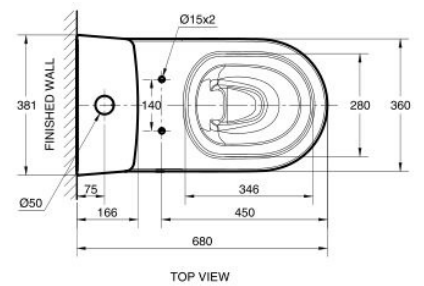
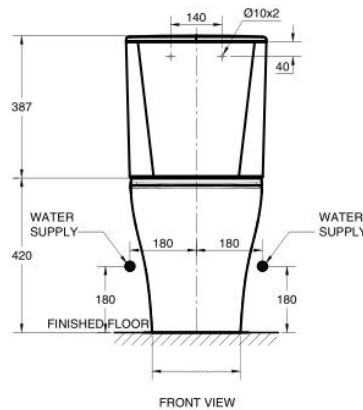
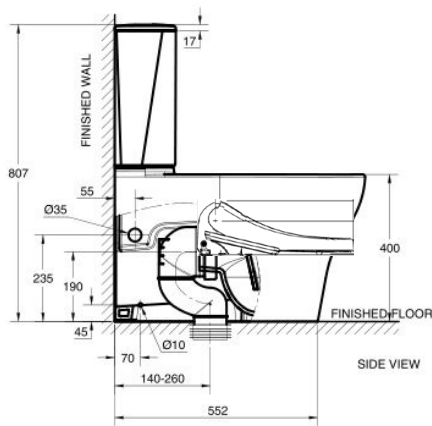
KEY SPECIFICATIONS

- Finish: White
- Material: Pan: Vitreous China, Cistern: Vitreous China,
- Inlet valve pressure rating: 500kPa
- Inlet position: Bottom inlet
- Outlet type: Universal S & P, P trap (converts to S trap using plastic S bend provided)
- Rim configuration: Hygiene Rim
- Technologies: Double vortex flushing,
- S trap set out: 140-260mm
- P trap set out: 190mm
- Seat functions: Adjustable seat & water temperature, adjustable dryer temperature, dual nozzle, one touch power saver



WARRANTY

- Domestic use
- 10 years product replacement, 1 year (cistern) parts and labour
- 2 years Spalet



MONACO

Monaco Customer Call Centre: +64 9 415 6000
 sales@monacocorp.co.nz

www.monacocorp.co.nz

Disclaimer: Products in this specification manual must by regulation be installed by licensed and registered trade people. The manufacturer/distributor reserves the right to vary specifications or delete models from their range without prior notification. Dimensions are nominal measurements only. Dimensions and set-outs listed are correct at time of publication however the manufacturer/distributor takes no responsibility for printing errors.
 Published 11/11/24

