

**Cygnets Hygiene, Over Height, Square Cistern, Back Inlet**

Kit Code: CYGNETOHSQBKIN

Pan: CL3323B-6DACTBF  
 Cistern: CL43254-6DACTBI  
 Seat: CL6157M-6D

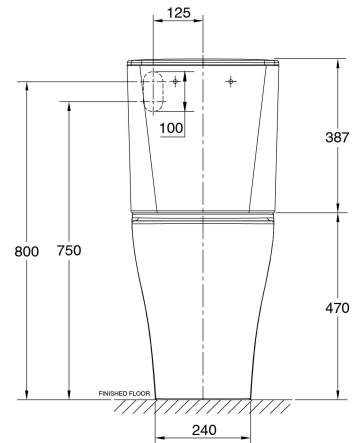
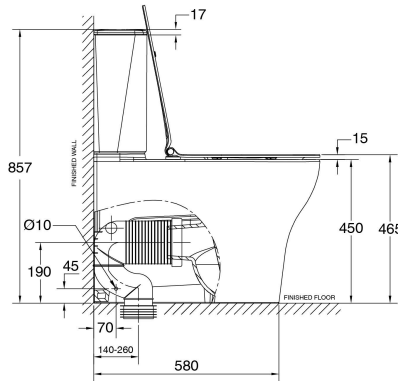
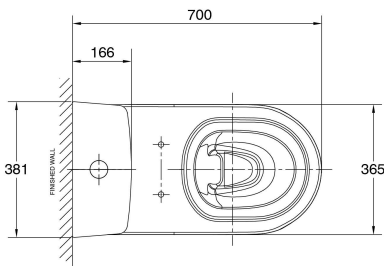
**Recommended use** Domestic, hotel and commercial

**KEY SPECIFICATIONS**

- Finish: White
- Material: Pan: Vitreous China, Cistern: Vitreous China, Seat: Urea
- Inlet valve pressure rating: 500kPa
- Inlet position: Back inlet
- Outlet type: Universal S & P, P trap (converts to S trap using plastic S bend provided)
- Rim configuration: Hygiene Rim
- Technologies: Double vortex flushing,
- S trap set out: 140-260mm
- P trap set out: 190mm
- Toilet seat: Soft close quick release seat

**WARRANTY**

- Domestic use
- 10 years product replacement, 1 year (cistern) parts and labour



**MONACO**

Monaco Customer Call Centre: +64 9 415 6000  
 sales@monacocorp.co.nz

www.monacocorp.co.nz

Disclaimer: Products in this specification manual must by regulation be installed by licensed and registered trade people. The manufacturer/distributor reserves the right to vary specifications or delete models from their range without prior notification. Dimensions are nominal measurements only. Dimensions and set-outs listed are correct at time of publication however the manufacturer/distributor takes no responsibility for printing errors.  
 Published 11/11/24

